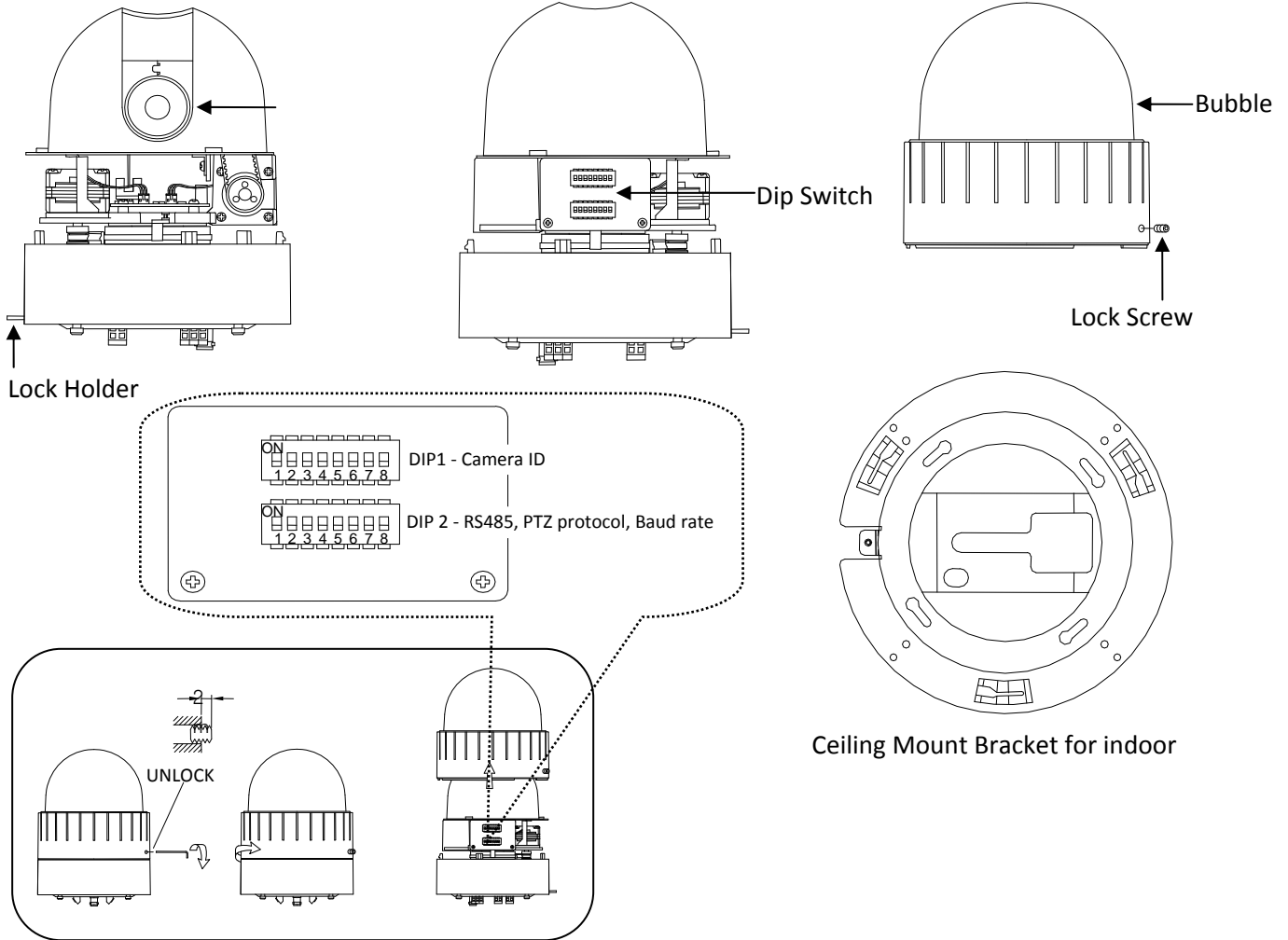


Quick Installation Guide

This manual has been designed to guide you through basic settings of your IP devices, such as installation and configuration for using them.

Step1. Assemble and install IP camera



Before installation, DIP switches should be set to configure the camera ID, communication protocol.

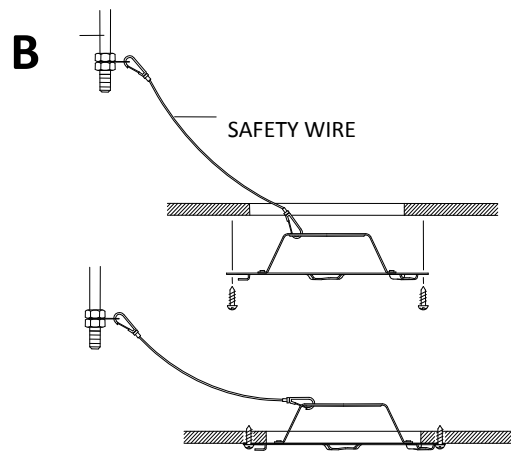
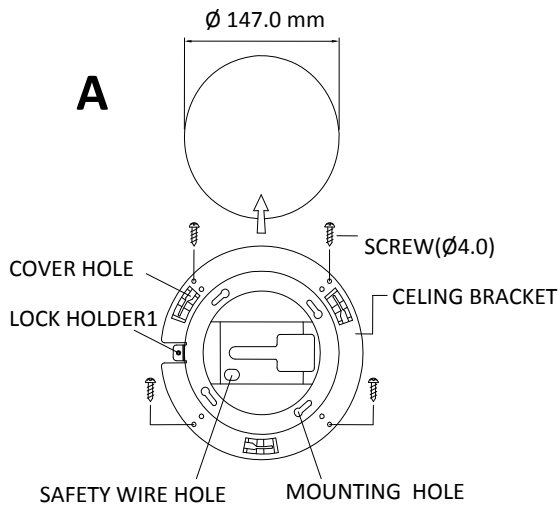
DIP2

Pin	1	2	3	4	5	6	7	8
ID Value	RS485 Termination	Not used	Protocol1	Protocol 2	Not used	Not used	Baud Rate 1	Baud Rate 2

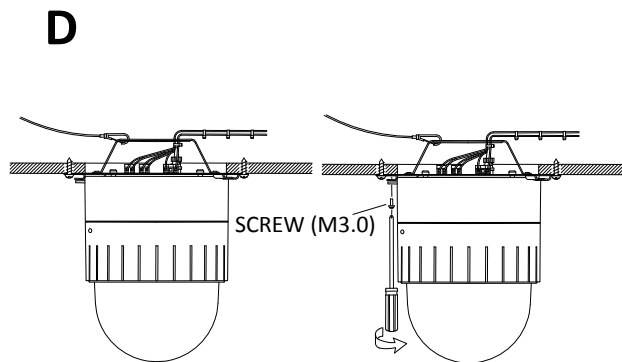
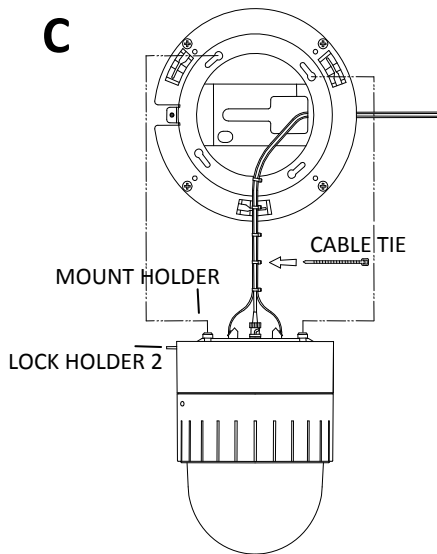
Pin3	Pin4	Protocol
OFF	OFF	Pelco-D or Pelco-P
OFF	ON	Not used
ON	OFF	Maxpro
ON	ON	Not used

Pin7	Pin8	BAUD RATE
OFF	OFF	Not Used
OFF	ON	2400bps (Pelco-D)
ON	OFF	4800bps (Pelco-P)
ON	ON	9600bps (Maxpro)

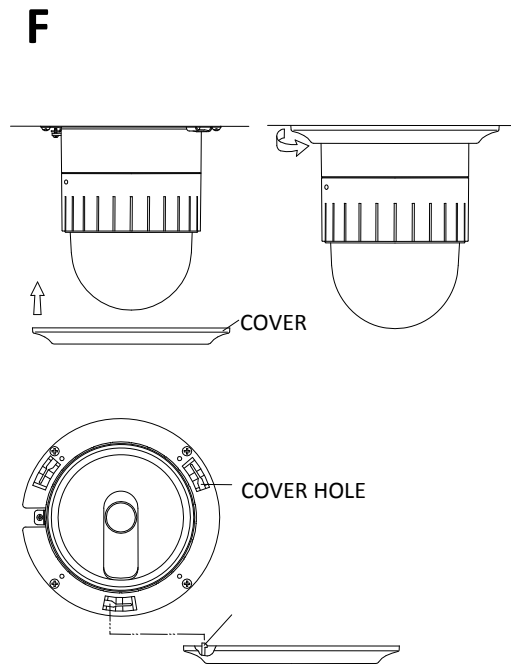
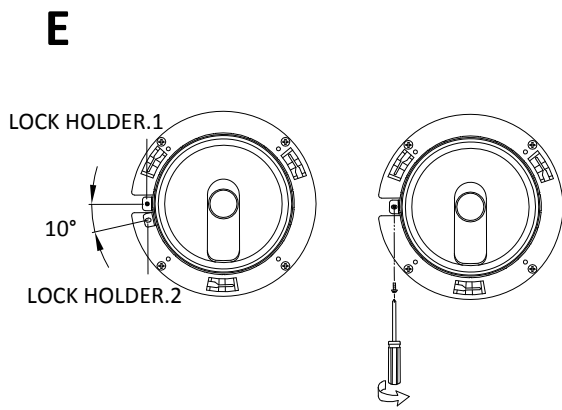
- Factory default of protocol is "Pelco-D, 2400 bps, 8 bit, 1 stop bit, no parity."



1. Find the places which are strong enough to support the camera, about 2kg.
2. Make a hole, \varnothing 147mm, on the ceiling.
3. Hook the safety wire to suspension and the safety wire hold on the bracket.
4. Install the ceiling mount bracket by driving 4 screws, \varnothing 4mm tapping screws.



5. You can make wires simple by cable ties.
6. Make the wires go through the square hole.
7. Insert mount holder and twist the camera counterclockwise.



8. Fix the camera by driving a screw on lock holder1 and 2.

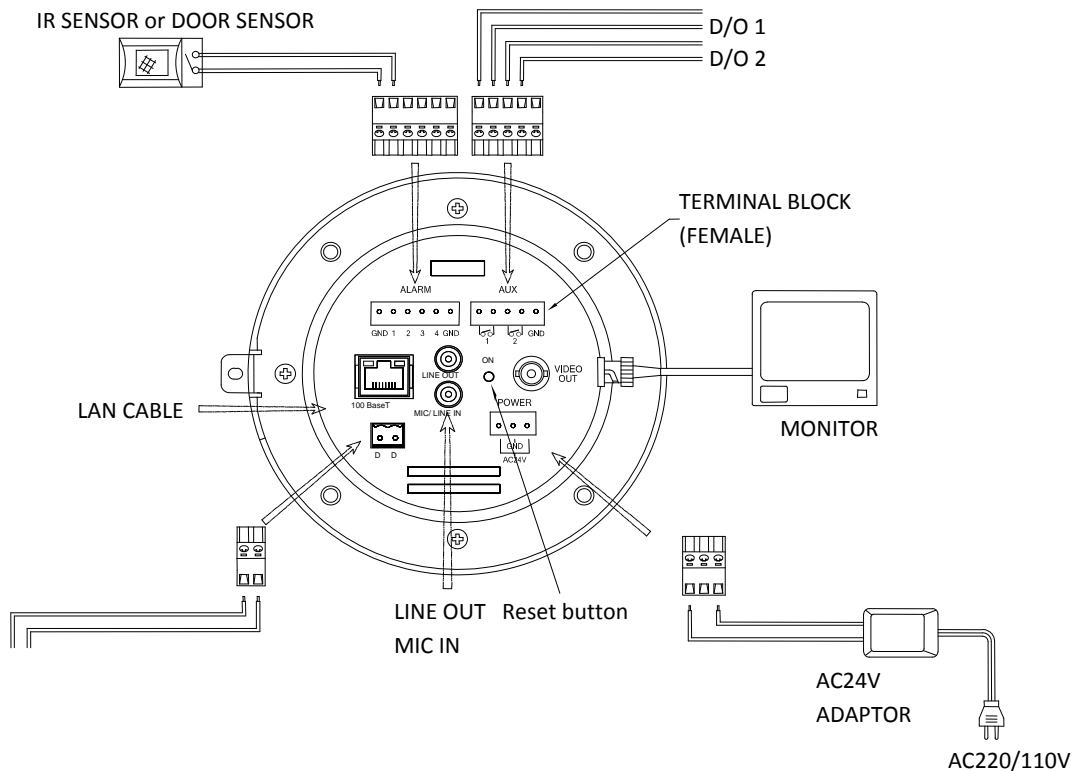
9. Install the cover by inserting cover lock and twisting clockwise.



The camera may fall off the ceiling even after the proper installation and mounting. To prevent any accident, make sure the ceiling is firm and stable enough to support the camera. If any reinforcement is needed, consult with your safety personnel and proceed with the installation.

Step2. Connect cables to IP device

Connect each cable to the device. To see the correct positions of all connectors, refer to the following image below.

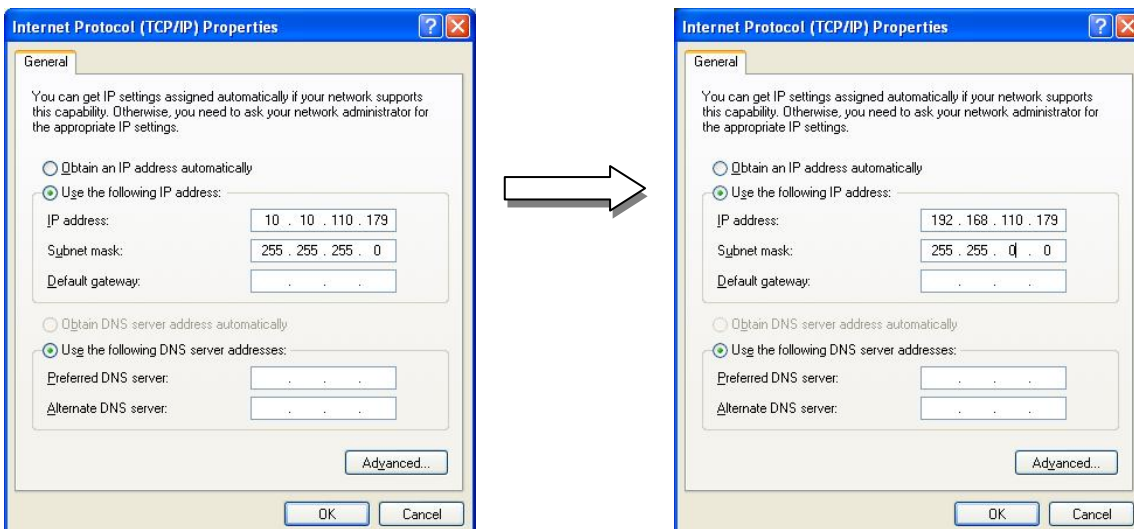


* Models herein and their appearance are subject to change without any prior notice.

Step3. Set up network environment

The default IP address of your IP device is 192.168.XXX.XXX. You can find the available IP address from the MAC address of your device. Please make sure the device and your PC are on the same network segment before running the installation. If the network segment was different between your PC and the device, change your PC's settings as below.

IP address : **192.168.xxx.xxx**
 Subnet mask: **255.255.0.0**

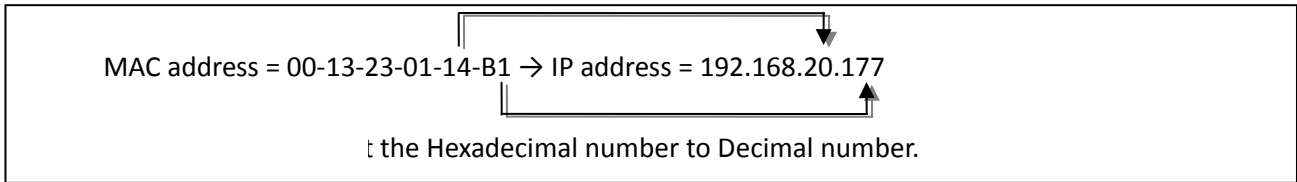


Step4. View video on web page

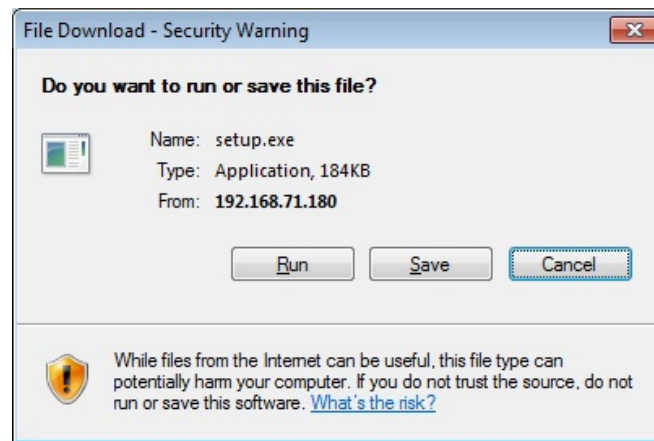
View the live video on a web page using your IP device and its IP address. To have the correct IP address ready and use it on a web page:

1. Convert a MAC address to an IP address. Refer to the Hexadecimal-Decimal Conversion Chart at the end of this manual.

(The MAC address is attached on the side or bottom of the device.)



2. Open a web browser and enter the IP address of the device.
3. Click **pop-up blocked** and install the ActiveX setup.exe by clicking the **Run** or **Save** button. You need to install the ActiveX for displaying the images.



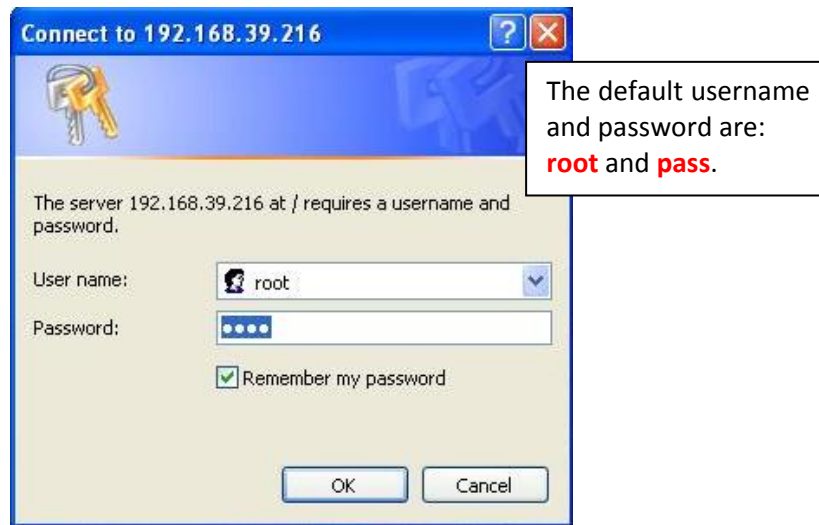
4. Follow the instructions of the dialog boxes and complete the installation. Then the live video is displayed on the main page of the web browser.
5. If the live video is not displayed with the message said, *"This software requires the Microsoft XML Parser V6 or higher. Please download MSXML6 from the Microsoft website to continue. Error code: Can not create XMLDOMDocument."*, please download and install the relevant MSXML.

* The explanation and captured images on this manual are mainly on the basis of Internet Explorer 7.0.

Step5. Setting IP Address

To set up the Network configuration:

1. Click **Setup** on the upper right of the web page. The login page is displayed as below.
2. Enter the default user name (root) and the default password (pass), and then select **OK**.



3. Click **System Options** on the left of the **Setup** page, and then select **TCP/IP** from the drop-down menu.
4. Input the data for the IP address configuration, and click the Apply button on the bottom of the page.

To change the IP address, please make sure to check and have the correct Subnet mask and Gateway ready. To use DHCP, select **Obtain an IP address via DHCP**.

To learn how to set up the web page for advanced configuration, refer to the Web Page User's Manual, which is available on the SDK at the following path.

{SDK root}\DOC\

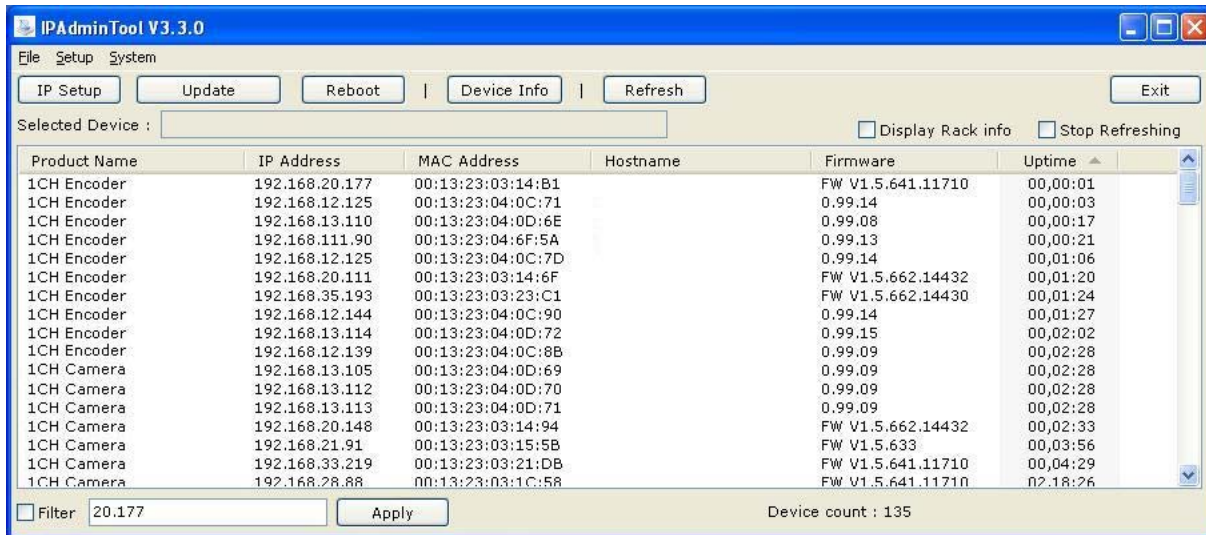
Advanced setup (IPAdminTool)

IPAdminTool is a utility program for IP products. Following list shows a part of features that IPAdminTool provides.

- Configure IP address, Subnet mask and Gateway
- Shows network related information such as MAC address
- Updates firmware
- Reboots the device

IPAdminTool is provided with SDK at the following SDK path.

```
{SDK root}\BIN\TOOLS\AdminTool\
```



The screenshot shows the IPAdminTool V3.3.0 application window. It features a menu bar (File, Setup, System) and a toolbar with buttons for IP Setup, Update, Reboot, Device Info, Refresh, and Exit. Below the toolbar is a 'Selected Device' field and checkboxes for 'Display Rack info' and 'Stop Refreshing'. The main area contains a table with columns: Product Name, IP Address, MAC Address, Hostname, Firmware, and Uptime. A filter box at the bottom left shows '20.177' and an 'Apply' button. The bottom right corner indicates 'Device count : 135'.

Product Name	IP Address	MAC Address	Hostname	Firmware	Uptime
1CH Encoder	192.168.20.177	00:13:23:03:14:B1		FW V1.5.641.11710	00,00:01
1CH Encoder	192.168.12.125	00:13:23:04:0C:71		0.99.14	00,00:03
1CH Encoder	192.168.13.110	00:13:23:04:0D:6E		0.99.08	00,00:17
1CH Encoder	192.168.111.90	00:13:23:04:6F:5A		0.99.13	00,00:21
1CH Encoder	192.168.12.125	00:13:23:04:0C:7D		0.99.14	00,01:06
1CH Encoder	192.168.20.111	00:13:23:03:14:6F		FW V1.5.662.14432	00,01:20
1CH Encoder	192.168.35.193	00:13:23:03:23:C1		FW V1.5.662.14430	00,01:24
1CH Encoder	192.168.12.144	00:13:23:04:0C:90		0.99.14	00,01:27
1CH Encoder	192.168.13.114	00:13:23:04:0D:72		0.99.15	00,02:02
1CH Encoder	192.168.12.139	00:13:23:04:0C:8B		0.99.09	00,02:28
1CH Camera	192.168.13.105	00:13:23:04:0D:69		0.99.09	00,02:28
1CH Camera	192.168.13.112	00:13:23:04:0D:70		0.99.09	00,02:28
1CH Camera	192.168.13.113	00:13:23:04:0D:71		0.99.09	00,02:28
1CH Camera	192.168.20.148	00:13:23:03:14:94		FW V1.5.662.14432	00,02:33
1CH Camera	192.168.21.91	00:13:23:03:15:5B		FW V1.5.633	00,03:56
1CH Camera	192.168.33.219	00:13:23:03:21:DB		FW V1.5.641.11710	00,04:29
1CH Camera	192.168.28.88	00:13:23:03:1C:58		FW V1.5.641.11710	02,18:26

Rebooting

Reset can be carried out as follows:

1. While the device is in use, press and hold the Reset.
2. Release the Reset button after 3 seconds.
3. Wait for the system to reboot.

Resetting to the Factory Default Settings

This will reset all parameters, including the IP address, to the Factory Default initialization.

To perform the Factory Default settings:

1. Disconnect the power supply from the device.
2. Connect the power to the device with the Reset button pressed and held.
3. Release the Reset button after 5 seconds.
4. Wait for the system to reboot.

More Information

To learn more about using other features of your devices, refer to the manual, which is available on the SDK at the following path.

```
{SDK root}\DOC\
```

Hexadecimal-Decimal Conversion Table

Refer to the following table when you convert the MAC address of your device to IP address.

Hex	Dec	Hex	Dec	Hex	Dec	Hex	Dec	Hex	Dec	Hex	Dec	Hex	Dec
00	0	25	37	4A	74	6F	111	94	148	B9	185	DE	222
01	1	26	38	4B	75	70	112	95	149	BA	186	DF	223
02	2	27	39	4C	76	71	113	96	150	BB	187	E0	224
03	3	28	40	4D	77	72	114	97	151	BC	188	E1	225
04	4	29	41	4E	78	73	115	98	152	BD	189	E2	226
05	5	2A	42	4F	79	74	116	99	153	BE	190	E3	227
06	6	2B	43	50	80	75	117	9A	154	BF	191	E4	228
07	7	2C	44	51	81	76	118	9B	155	C0	192	E5	229
08	8	2D	45	52	82	77	119	9C	156	C1	193	E6	230
09	9	2E	46	53	83	78	120	9D	157	C2	194	E7	231
0A	10	2F	47	54	84	79	121	9E	158	C3	195	E8	232
0B	11	30	48	55	85	7A	122	9F	159	C4	196	E9	233
0C	12	31	49	56	86	7B	123	A0	160	C5	197	EA	234
0D	13	32	50	57	87	7C	124	A1	161	C6	198	EB	235
0E	14	33	51	58	88	7D	125	A2	162	C7	199	EC	236
0F	15	34	52	59	89	7E	126	A3	163	C8	200	ED	237
10	16	35	53	5A	90	7F	127	A4	164	C9	201	EE	238
11	17	36	54	5B	91	80	128	A5	165	CA	202	EF	239
12	18	37	55	5C	92	81	129	A6	166	CB	203	F0	240
13	19	38	56	5D	93	82	130	A7	167	CC	204	F1	241
14	20	39	57	5E	94	83	131	A8	168	CD	205	F2	242
15	21	3A	58	5F	95	84	132	A9	169	CE	206	F3	243
16	22	3B	59	60	96	85	133	AA	170	CF	207	F4	244
17	23	3C	60	61	97	86	134	AB	171	D0	208	F5	245
18	24	3D	61	62	98	87	135	AC	172	D1	209	F6	246
19	25	3E	62	63	99	88	136	AD	173	D2	210	F7	247
1A	26	3F	63	64	100	89	137	AE	174	D3	211	F8	248
1B	27	40	64	65	101	8A	138	AF	175	D4	212	F9	249
1C	28	41	65	66	102	8B	139	B0	176	D5	213	FA	250
1D	29	42	66	67	103	8C	140	B1	177	D6	214	FB	251
1E	30	43	67	68	104	8D	141	B2	178	D7	215	FC	252
1F	31	44	68	69	105	8E	142	B3	179	D8	216	FD	253
20	32	45	69	6A	106	8F	143	B4	180	D9	217	FE	254
21	33	46	70	6B	107	90	144	B5	181	DA	218	FF	255