

TG3Z2710FCS

3X 2.7mm - 8mm F1.0
for 1/3 type Cameras, Vari-focal Auto Iris DC Drive
CS-Mount

with Focus, w/o Amplifier

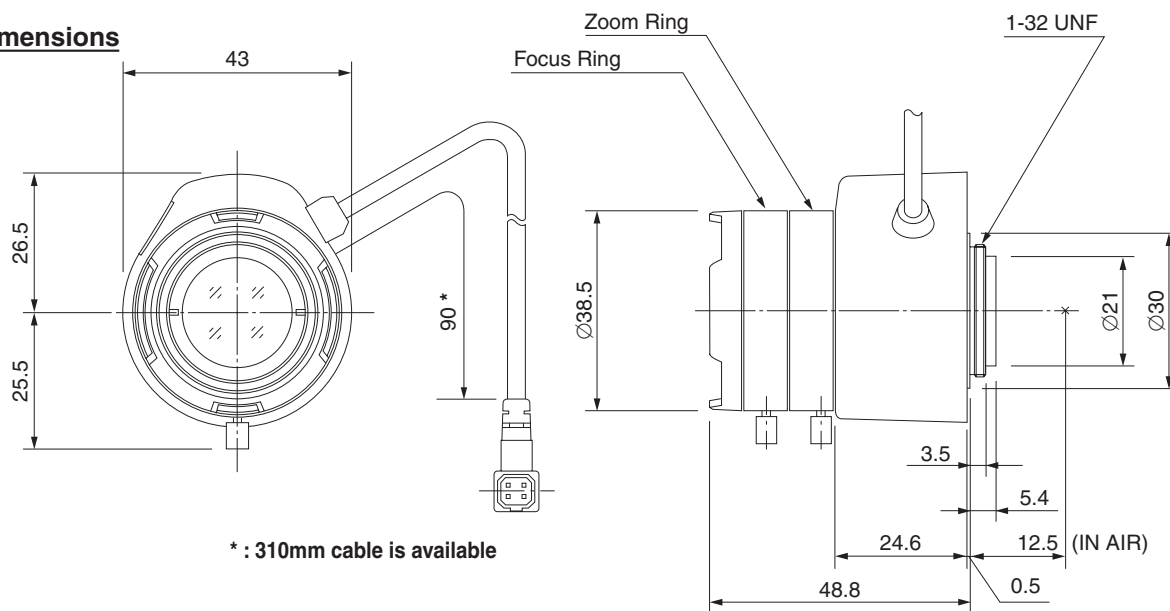
1/3
type

Model No.	TG3Z2710FCS		Effective	Front	Ø19.4mm	
Focal Length	2.7mm - 8mm		Lens Aperture	Rear	Ø9.8mm	
Max. Aperture Ratio	1:1.0		Back Focal	Tele	15.7mm	
Max. Image Format	4.8mm x 3.6mm(Ø6mm)			Length	Wide	8mm
Operation Range	Iris	F1.0 - F360C		Flange Back Length	12.5mm	
	Focus	0.3m - Inf.		Mount	CS-Mount	
	Zoom	2.7mm - 8mm		Filter Size	—	
Control	Iris	DC Auto Iris		Dimensions	Ø38.5mm x 48mm x 48.8mm	
	Focus	Manual		Weight	65g	
	Zoom	Manual				
Object Dimension at M.O.D.	2.7mm	71.5cm x 45cm				
	8mm	19.6cm x 14.4cm				
Angle of View	D	1/3 type	128.0° - 45.2°	1/4 type	93.3° - 33.9°	
	H		100.0° - 36.2°		73.8° - 27.0°	
	V		73.8° - 27.0°		54.8° - 20.3°	
Coil	Drive	190Ω				
	Control	855Ω				
Operating Temperature	-20°C - +50°C					

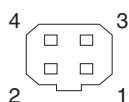
M.O.D : Minimum Object Distance

CS

Dimensions



Wiring Diagram



Pin No.

1	BROWN	Control (-)
2	RED	Control (+)
3	YELLOW	Drive (+)
4	ORANGE	Drive (-)