

TG3Z2710AFCS

3X 2.7mm - 8mm F1.0
for 1/3 type Cameras, Vari-focal Auto Iris VIDEO Drive
CS-Mount

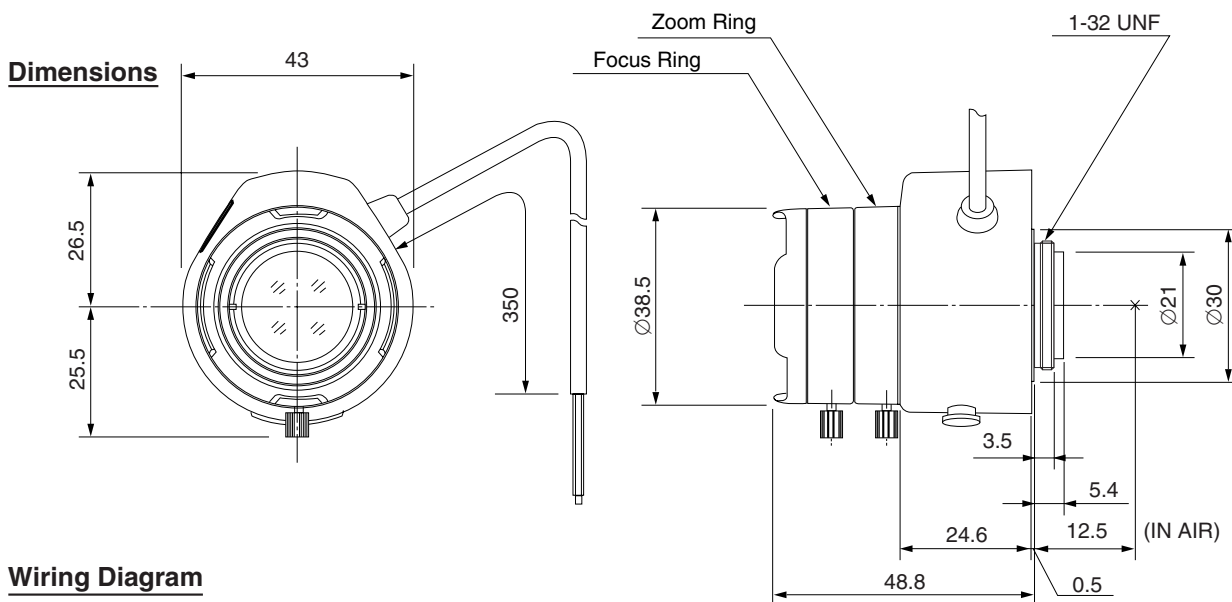
with Focus and Amplifier

1/3
type

CS

Model No.	TG3Z2710AFCS		Effective	Front	Ø19.4mm	
Focal Length	2.7mm - 8mm		Lens Aperture	Rear	Ø9.8mm	
Max. Aperture Ratio	1:1.0		Back Focal	Tele	15.7mm	
Max. Image Format	4.8mm x 3.6mm(Ø6mm)			Length	Wide	8mm
Operation Range	Iris	F1.0 - F360C	Flange Back Length		12.5mm	
	Focus	0.3m - Inf.	Mount		CS-Mount	
	Zoom	2.7mm - 8mm	Filter Size		—	
Control	Iris	Video Auto Iris	Dimensions			Ø38.5mm x 48mm x 48.8mm
	Focus	Manual	Weight			70g
	Zoom	Manual				
Object Dimension at M.O.D.	2.7mm	71.5cm x 45cm				
	8mm	19.6cm x 14.4cm				
Angle of View	D	1/3 type	128.0° - 45.2°	1/4 type	93.3° - 33.9°	
	H		100.0° - 36.2°		73.8° - 27.0°	
	V		73.8° - 27.0°		54.8° - 20.3°	
Supply Voltage	DC8.5V - DC16V					
Current	Less than 40mA					
Response Time	Approx. 2 sec.					
Light Weighting Method	Adjustable between Average - Peak (to be Set at Average at Factory)					
Input Signal	Video Signal (V. or V.S.)					
Iris Accuracy	± 15% at Video Signal Level					
Sensitivity Adjustment	0.5V(p-p) - 1.0V(p-p) (Video Signal)					
Input Impedance	High Impedance					
Operating Temperature	-20°C - +50°C					

M.O.D. : Minimum Object Distance



Wiring Diagram

