

TG2Z3514AFCS-2

2X 3.5mm - 8mm F1.4
for 1/3 type Cameras, Vari-focal Auto Iris VIDEO Drive
CS-Mount

with Focus and Amplifier

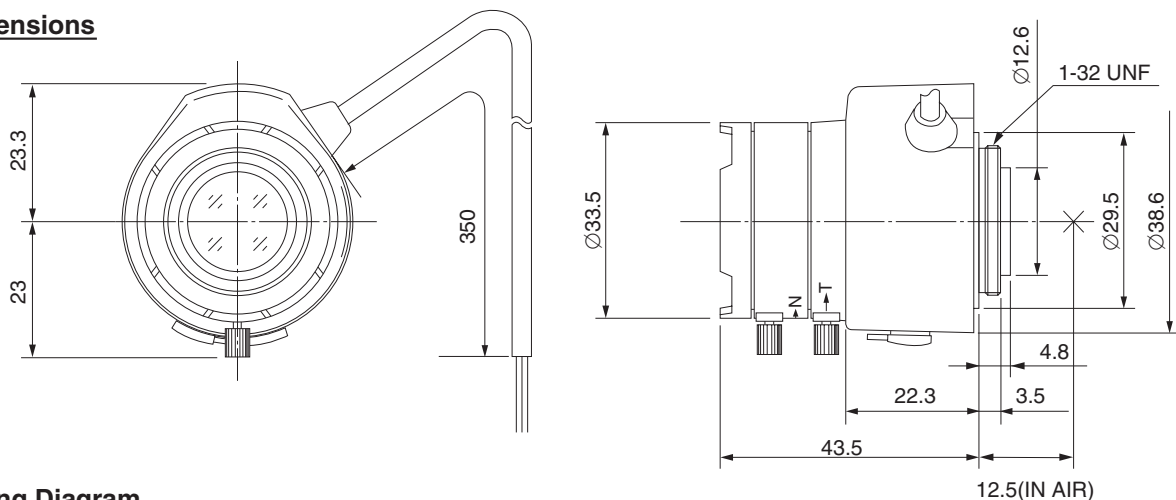
Model No.	TG2Z3514AFCS-2		Effective	Front	Ø16.6mm
Focal Length	3.5mm - 8mm		Lens Aperture	Rear	Ø9.0mm
Max. Aperture Ratio	1:1.4		Back Focal	Tele	13.1mm
Max. Image Format	4.8mm x 3.6mm(Ø6mm)			Length	Wide
Operation Range	Iris	F1.4 - F360C		Flange Back Length	12.5mm
	Focus	0.4m - Inf.		Mount	CS-Mount
	Zoom	3.5mm - 8mm		Filter Size	—
Control	Iris	Video Auto Iris		Dimensions	Ø33.5mm x 42.6mm x 43.5mm
	Focus	Manual		Weight	53g
	Zoom	Manual			
Object Dimension at M.O.D.	3.5mm	64.3cm x 43.9cm			
	8mm	25.5cm x 18.9cm			
Angle of View	D	1/3 type	97.9° - 44.3°	1/4 type	72.7° - 33.2°
	H		77.6° - 35.4°		57.6° - 26.6°
	V		57.6° - 26.6°		43.0° - 19.9°
Supply Voltage	DC8V - DC16V				
Current	Less than 35mA				
Response Time	Approx. 2 sec.				
Light Weighting Method	Adjustable between Average - Peak (to be Set at Average at Factory)				
Input Signal	Video Signal (V. or V.S.)				
Iris Accuracy	± 15% at Video Signal Level				
Sensitivity Adjustment	0.5V(p-p) - 1.0V(p-p) (Video Signal)				
Input Impedance	High Impedance				
Operating Temperature	-20°C - +50°C				

1/3
type

CS

M.O.D. : Minimum Object Distance

Dimensions



Wiring Diagram

