

T3Z3510CS-IR

**3X 3.5mm - 10.5mm F1.0 Day & Night type
for 1/3 type Format Cameras, Vari-focal Manual Iris
CS-Mount**

**1/3
type**

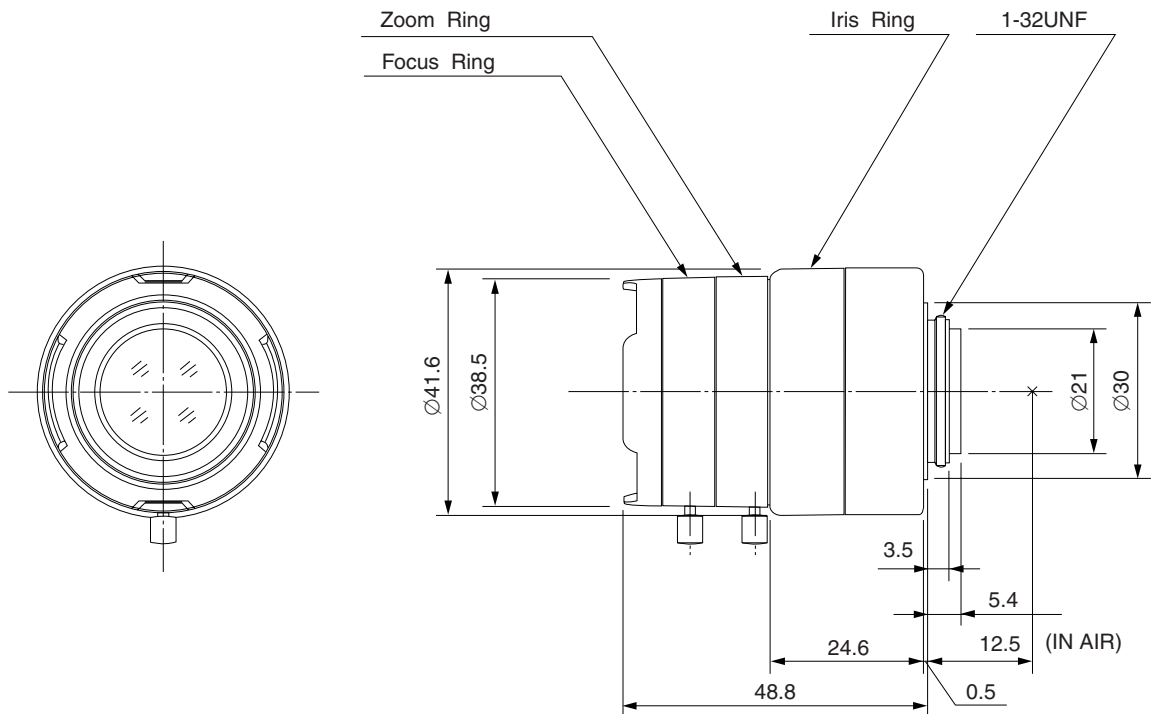
Model No.	T3Z3510CS-IR		Effective	Front	Ø18.6mm
Focal Length	3.5mm - 10.5mm		Lens Aperture	Rear	Ø10.2mm
Max. Aperture Ratio	1:1.0		Back Focal Length	Tele	16.3mm
Max. Image Format	4.8mm x 3.6mm(Ø6mm)			Wide	8.0mm
Operation Range	Iris	F1.0 - F16C	Flange Back Length		12.5mm
	Focus	0.3m - Inf.	Mount		CS-Mount
	Zoom	3.5mm - 10.5mm	Filter Size		—
Control	Iris	Manual	Dimensions		Ø41.6mm x 48.8mm
	Focus	Manual	Weight		63g
	Zoom	Manual			
Object Dimension at M.O.D.	3.5mm	52cm x 34.1cm			
	10.5mm	14.5cm x 10.8cm			
Angle of View	D	1/3 type	108.2° - 34.2°		
	H		81.8° - 27.2°		
	V		59.2° - 20.4°		
Operating Temperature	-20°C - +50°C				

Operates in both visible and infrared light

M.O.D. : Minimum Object Distance

CS

Dimensions



Z

SP