

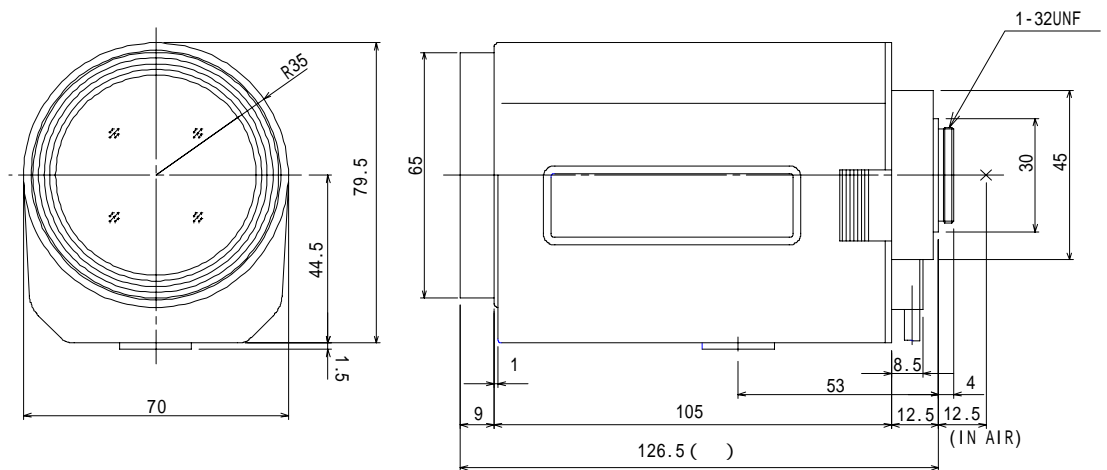
computar®

T21Z5816MSP3-CS

21X 5.8mm 121.8mm F1.6
for 1/3 type Cameras, Motorized zoom
CS Mount

Model No.	T21Z5816MSP3-CS		Effective	Front	53.2mm
Focal Length	5.8mm	121.8mm	Lens Aperture	Rear	10.6mm
Max. Aperture Ratio	1:1.6		Back Focal Length	13.6mm	
Max. Image Format	4.8mm x 3.6mm(6mm)		Flange Back Length	12.5mm	
Operation Range	Iris	F1.6 F560C	Mount	CS Mount	
	Focus	1.5m Inf.	Filter Size	M62P=0.75mm	
	Zoom	5.8mm 121.8mm	Tripod Screw	1/4-20UNC	
Control	Iris	Motorized, Preset	Dimensions	W70mm x H81mm x D126.5mm	
	Focus	Motorized, Preset	Weight	715g	
	Zoom	Motorized, Preset			
Angle of View	D	1/3 type	55.5° 2.9°	1/4 type	42.0° 2.2°
	H				33.8° 1.8°
	V				25.3° 1.3°
	Iris	Focus	Zoom		
Supply Voltage	DC8V		DC8V	DC8V	
Current	20mA or less		45mA or less	50mA or less	
Response Time	Approx. 4 sec.		Approx. 5.5 sec.	Approx. 5 sec.	
Preset Potentiometer	5k VR		5k VR	5k VR	
Operating Temperature	-10 +50				

Dimensions



Wiring Diagram

