

# HG3Z4512AFCS

**3X 4.5mm - 12.5mm F1.2**  
**for 1/2 type Cameras, Vari-focal Auto Iris VIDEO Drive**  
**CS-Mount**

with Focus and Amplifier

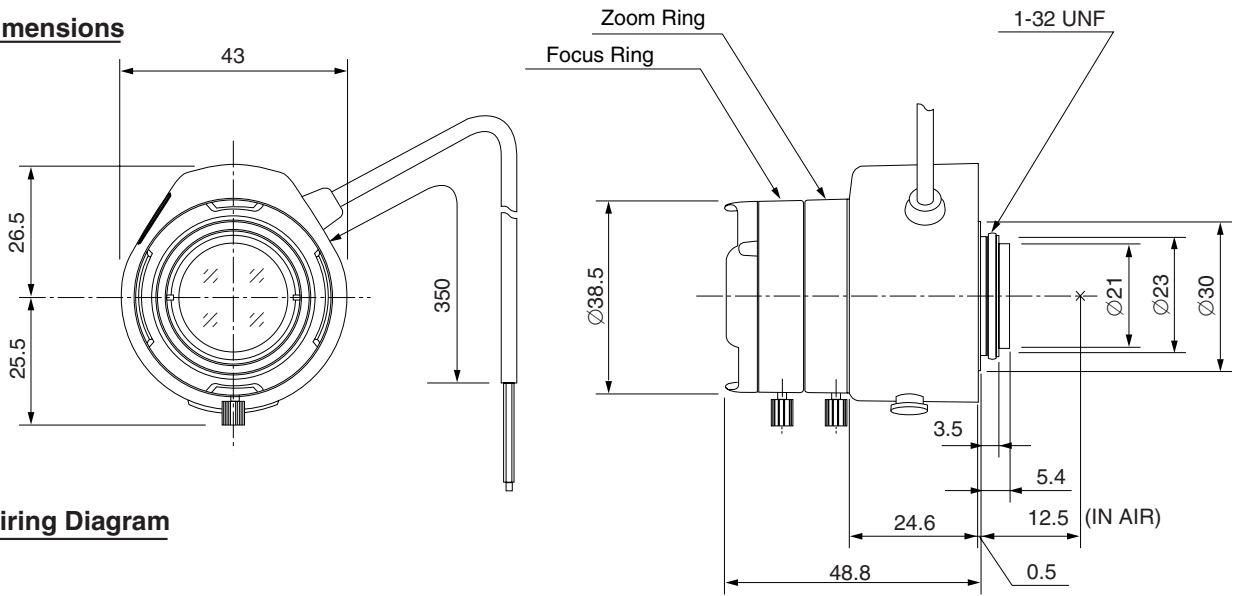
Model No.	HG3Z4512AFCS		Effective	Front	Ø19.0mm		
Focal Length	4.5mm - 12.5mm		Lens Aperture	Rear	Ø10.3mm		
Max. Aperture Ratio	1:1.2		Back Focal	Tele	18.3mm		
Max. Image Format	6.4mm x 4.8mm(Ø8mm)			Length	Wide	9.9mm	
Operation Range	Iris	F1.2 - F360		Flange Back Length		12.5mm	
	Focus	0.3m - Inf.		Mount		CS-Mount	
	Zoom	4.5mm - 12.5mm		Filter Size		—	
Control	Iris	Video Auto Iris		Dimensions		Ø38.5mm x 48mm x 48.8mm	
	Focus	Manual		Weight		75g	
	Zoom	Manual					
Object Dimension at M.O.D.	4.5mm	51.8cm x 34.9cm					
	12.5mm	16.1cm x 12cm					
Angle of View	D	1/2 type	103.0° - 37.4°	1/3 type	76.2° - 28.2°	1/4 type	56.5° - 21.2°
	H		81.6° - 30.0°		60.4° - 22.6°		44.9° - 16.9°
	V		60.4° - 22.6°		45.0° - 17.0°		33.5° - 12.7°
Supply Voltage	DC8.5V - DC16V						
Current	Less than 40mA						
Response Time	Approx. 2 sec.						
Light Weighting Method	Adjustable between Average - Peak (to be Set at Average at Factory)						
Input Signal	Video Signal (V. or V.S.)						
Iris Accuracy	± 15% at Video Signal Level						
Sensitivity Adjustment	0.5V(p-p) - 1.0V(p-p) (Video Signal)						
Input Impedance	High Impedance						
Operating Temperature	-20°C - +50°C						

**1/2 type**

**CS**

M.O.D. : Minimum Object Distance

**Dimensions**



**Wiring Diagram**

