

HG0614FCS-3

6mm F1.4
for 1/2 type Cameras, Fixed-focal Auto Iris DC Drive
CS-Mount

with Focus, w/o Amplifier

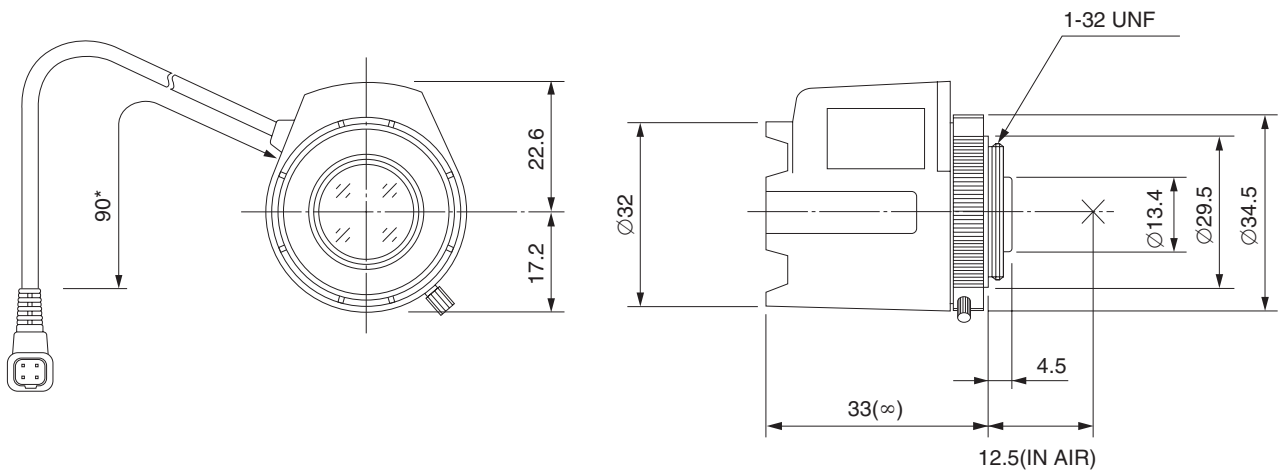
Model No.	HG0614FCS-3		Effective	Front	Ø10.8mm		
Focal Length	6mm		Lens Aperture	Rear	Ø8.6mm		
Max. Aperture Ratio	1:1.4		Back Focal Length	8.2mm			
Max. Image Format	6.4mm x 4.8mm(Ø8mm)		Flange Back Length	12.5mm			
Operation Range	Iris	F1.4 - F360C		Mount	CS-Mount		
	Focus	0.2m - Inf.		Filter Size	—		
Control	Iris	DC Auto Iris		Dimensions	Ø32mm x 39.8mm x 33mm		
	Focus	Manual		Weight	37g		
Object Dimension at M.O.D.	22.3cm x 16.3cm						
Angle of View	D	1/2 type	71.3°	1/3 type	55.0°	1/4 type	41.7°
	H		58.3°		44.3°		33.6°
	V		44.3°		33.6°		25.3°
Coil	Drive	190Ω					
	Control	855Ω					
Operating Temperature	-20°C - +50°C						

1/2 type

M.O.D : Minimum Object Distance

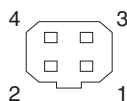
Dimensions

CS



* : 310mm cable is available

Wiring Diagram



Pin No.

1	BROWN	Control (-)
2	RED	Control (+)
3	YELLOW	Drive (+)
4	ORANGE	Drive (-)