

# H6Z0812PDC

**6X 8mm - 48mm F1.2**  
**for 1/2 type Cameras, Motorized Zoom**  
**C-Mount**

with DC Auto Iris and Preset

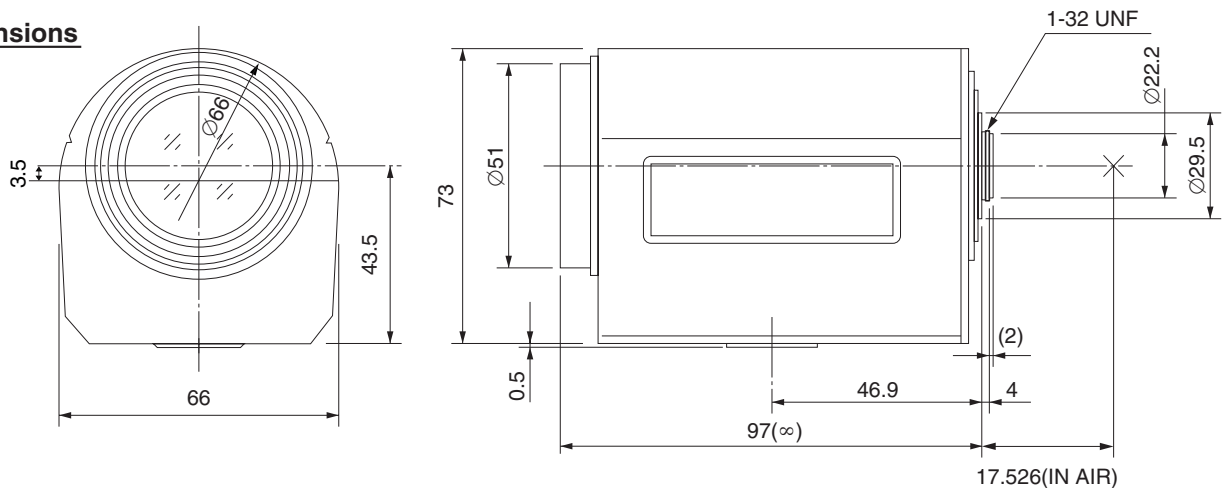
Model No.	H6Z0812PDC		Effective	Front	Ø39.2mm		
Focal Length	8mm - 48mm		Lens Aperture	Rear	Ø16.6mm		
Max. Aperture Ratio	1:1.2		Back Focal Length		11.4mm		
Max. Image Format	6.4mm x 4.8mm(Ø8mm)		Flange Back Length		17.526mm		
Operation Range	Iris	F1.2 - F560C		Mount	C-Mount		
	Focus	1.2m - Inf.		Filter Size	M49 P=0.75mm		
	Zoom	8mm -48mm		Tripod Screw	1/4 - 20UNC		
Control	Iris	DC Auto Iris		Dimensions	W66mm x H73.5mm x D97mm		
	Focus	Motorized, Preset		Weight	450g		
	Zoom	Motorized, Preset					
Object Dimension at M.O.D.	8mm	98.4cm x 72.2cm					
	48mm	16.8cm x 12.8cm					
Angle of View	D	1/2 type	55.8° - 9.9°	1/3 type	41.8° - 7.5°	1/4 type	31.4° - 5.6°
	H		44.6° - 8.0°				25.2° - 4.6°
	V		33.5° - 6.1°				18.9° - 3.4°
		Iris		Focus		Zoom	
Supply Voltage	—		DC8V		DC8V		
Current	—		40mA or less		40mA or less		
Response Time	—		Approx. 5 sec.		Approx. 4.5 sec.		
Preset Potentiometer	—		5kQVR		5kQVR		
Coil	Drive	190Ω					
	Control	1000Ω					
Operating Temperature	-10°C - +50°C						

1/2 type

C

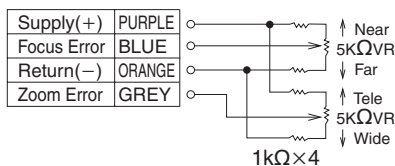
M.O.D. : Minimum Object Distance

**Dimensions**



**Wiring Diagram**

**PRESET POTENTIOMETER**



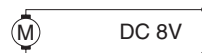
**IRIS**



**Pin No.**

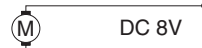
1	BROWN	Control (-)
2	RED	Control (+)
3	YELLOW	Drive (+)
4	ORANGE	Drive (-)

**FOCUS**



	Near	Far
GREEN	+	-
BLACK	-	+

**ZOOM**



	Tele	Wide
YELLOW	+	-
RED	-	+