

H16Z7516M

16X 7.5mm - 120mm F1.6
for 1/2 type Cameras, Motorized Zoom
C-Mount

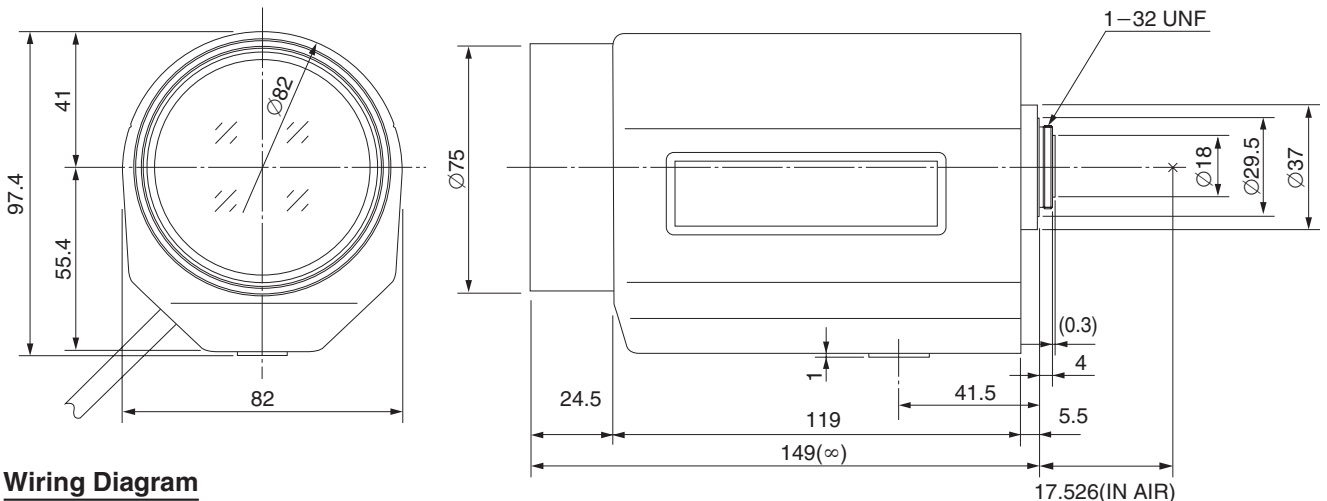
Model No.	H16Z7516M		Effective	Front	Ø66.4mm		
Focal Length	7.5mm - 120mm		Lens Aperture	Rear	Ø13.5mm		
Max. Aperture Ratio	1:1.6		Back Focal Length		14mm		
Max. Image Format	6.4mm x 4.8mm(Ø8mm)		Flange Back Length		17.526mm		
Operation Range	Iris	F1.6 - F22C		Mount	C-Mount		
	Focus	1.5m - Inf.		Filter Size	M72 P=0.75mm		
	Zoom	7.5mm - 120mm		Tripod Screw	1/4 - 20UNC		
Control	Iris	Motorized		Dimensions	W82mm x H97.4mm x D149mm		
	Focus	Motorized		Weight	1060g		
	Zoom	Motorized					
Object Dimension at M.O.D.	7.5mm	129.2cm x 95.5cm					
	120mm	8.4cm x 6.3cm					
Angle of View	D	1/2 type	57.2° - 3.9°	1/3 type	43.8° - 3.0°	1/4 type	33.1° - 2.2°
	H		46.6° - 3.2°				26.6° - 1.8°
	V		35.3° - 2.4°				20.0° - 1.35°
		Iris		Focus		Zoom	
Supply Voltage	DC8V		DC8V		DC8V		
Current	30mA or less		45mA or less		35mA or less		
Response Time	Approx. 1.5 sec.		Approx. 3.5 sec.		Approx. 3.5 sec.		
Preset Potentiometer	—		—		—		
Operating Temperature	-10°C - +50°C						

1/2
type

C

M.O.D. : Minimum Object Distance

Dimensions



Wiring Diagram

