

# H10Z0812PDC

**10X 8mm - 80mm F1.2**  
**for 1/2 type Cameras, Motorized Zoom**  
**C-Mount**

with DC Auto Iris and Preset

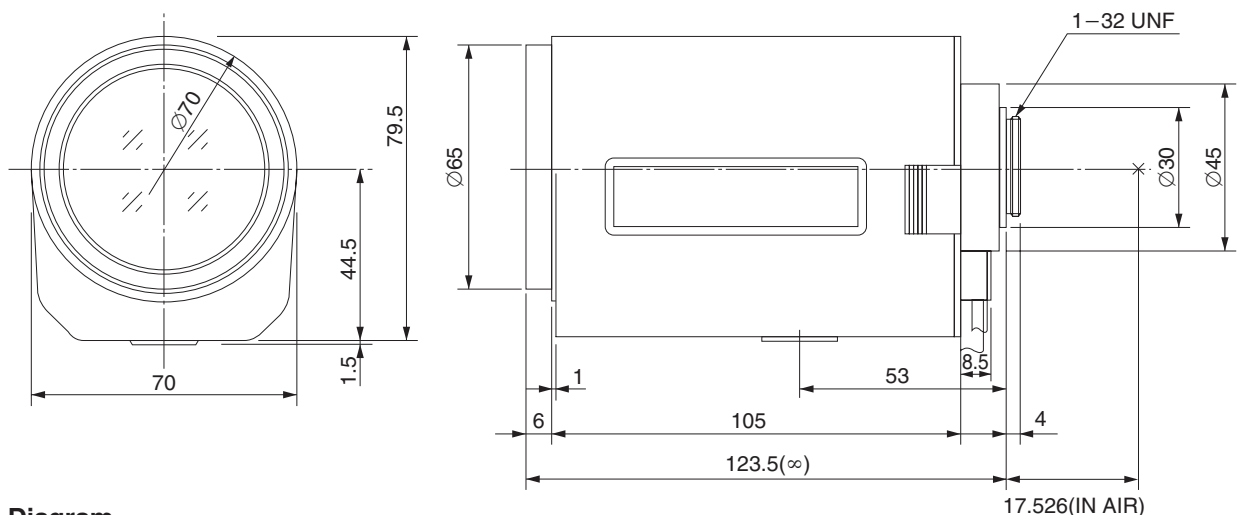
Model No.	H10Z0812PDC		Effective	Front	Ø54.0mm
Focal Length	8mm - 80mm		Lens Aperture	Rear	Ø14mm
Max. Aperture Ratio	1:1.2		Back Focal Length	15.3mm	
Max. Image Format	6.4mm x 4.8mm(Ø8mm)		Flange Back Length	17.526mm	
Operation Range	Iris	F1.2 - F560C	Mount	C-Mount	
	Focus	1.5m - Inf.	Filter Size	M62 P=0.75mm	
	Zoom	8mm - 80mm	Tripod Screw	1/4 - 20UNC	
Control	Iris	DC Auto Iris	Dimensions	W70mm x H81mm x D123.5mm	
	Focus	Motorized, Preset	Weight	670g	
	Zoom	Motorized, Preset			
Object Dimension at M.O.D.	8mm	124.8cm x 92.5cm			
	80mm	12.3cm x 9.2cm			
Angle of View	D	1/2 type	54.3° - 5.8°	1/3 type	41.3° - 4.4°
	H		44.0° - 4.7°		33.3° - 3.5°
	V		33.3° - 3.5°		25.0° - 2.6°
	Iris		Focus		Zoom
Supply Voltage	—		DC8V	DC8V	
Current	—		40mA or less	35mA or less	
Response Time	—		Approx. 4.5 sec.	Approx. 3.5 sec.	
Preset Potentiometer	—		5kQVR	5kQVR	
Coil	Drive	190Ω			
	Control	1000Ω			
Operating Temperature	-10°C - +50°C				

1/2 type

C

M.O.D. : Minimum Object Distance

**Dimensions**



**Wiring Diagram**

